

User's Manual



Preface

Thank you for purchasing our ET-185 motorized instrument table. Please read this manual carefully for the sake of your best use.

General Requirements for Safety

Please read carefully about following precautions to avoid unexpected personal injury as well as the product being damaged and other possible dangers.

Precautions

1. Do not use this instrument in the environment prone to fire and blast or where there is much dust and with high temperature. Use it in the room and simultaneously be careful to keep it clean and dry.
2. Check that all the wires are correctly and firmly connected before use. Ensure that the instrument is well grounded.
3. Please pay attention to all the ratings of the electrical connecting terminal.
4. Only use fuse according to the specifications and ratings stipulated by our product.
5. Use the power cable supplied with this instrument.
6. Turn off the main power first before changing the fuse.
7. To prevent the instrument from falling down to floor, it should be placed on the floor where the inclination angle is less than 10°.
8. Turn off the power and cover the instrument with dust cover when it is not in use.
9. In case there is any trouble, please contact the authorized distributor or our Repair Department.

THE SAFETY MARKS USED IN THIS INSTRUMENT



TYPE B

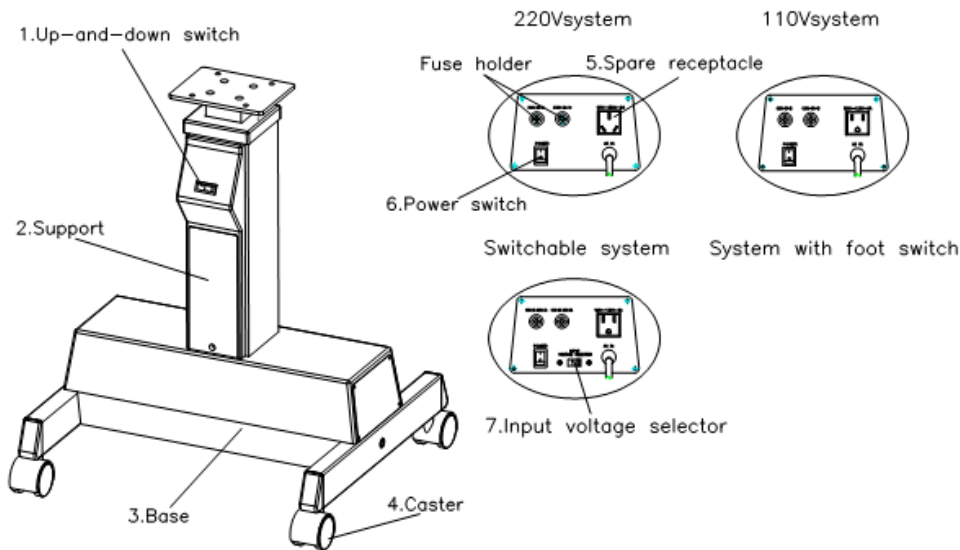


ATTENTION
PLEASE REFER TO THIS
MANUAL



TERMINAL OF
PROTECTIVE
GROUNDING

1 NAMES AND FUNCTIONS



- | | |
|---------------------------|--|
| 1) Up-and-down switch | : Upper and lower the instrument table. |
| 2) Support | : The height is adjustable. |
| 3) Base | : Center symmetry |
| 4) Caster | : Locking/unlocking selectable. |
| 5) Spare receptacle | : Used to supply power for a loaded device. |
| 6) Power switch | : The power supply switch for this instrument. |
| 7) Input voltage selector | : Change according to input voltage |

Accessories list

Name	Quantity
Fuse	: 2pcs.
Hexagonal bolt (M10)	: 2pcs. (with spring washers)
Hexagonal wrench	: 1pc.

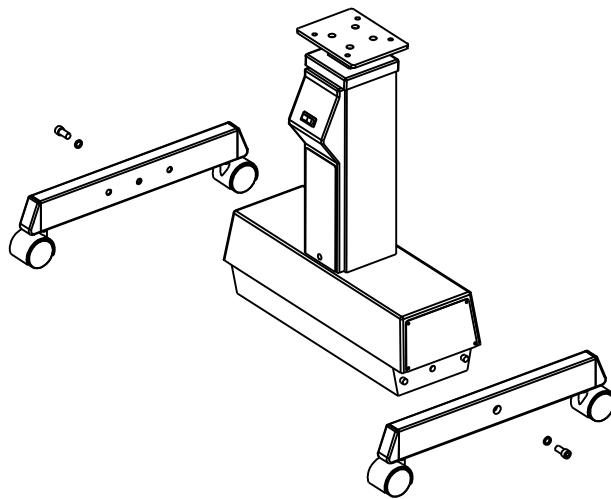
2 ASSEMBLY PROCEDURES

This section of the manual describes how to assemble ET-185 instrument table. All parts should be taken with great care out of the packing case before assembly.

- ✧ Screw off two M10 screws and spring washers at the side of the base.
- ✧ Put two foot frames at the two side of the base separately, with the caster which

have lock towards the up and down switch.

- ✧ Aim the two holes on the caster to the screw cap at the side of the base and insert.
- ✧ Put the instrument table on the flat ground.
- ✧ Screw the M10 screws with spring washers in the screw hole on the base through the hole on the foot frame, and fasten with hexagonal wrench.
- ✧ Put the worktable at the top of the instrument, unscrew four M8x20mm bolts with washers with spanner .
- ✧ Lift the worktable to aim its screw hole at the assembly hole of the instrument table.
- ✧ Put down the worktable, refasten the bolt securely with the spanner.



3 PREPARATIONS

- ✧ Turn off the power switch;
- ✧ Insert the power plug of instrument table in suitable three core power socket, ensure that the instrument is well grounded;
- ✧ Turn on the power switch;
- ✧ Press the up and down switch, the table can move up and down;
- ✧ Keep on pressing the up and down switch, when the instrument table reach the limit position, the instrument table will stop automatically, This illustrates that the instrument is normal. Adjust table to the suitable height and then begin to use.

4 MAINTENANCE

Daily maintenance

- ✧ Don't store instrument in dusty place.
- ✧ When not using the instrument, turn off power switch and apply a dust cover.

- ✧ Clean the plastic parts such as chin-rest bracket, forehead-rest belt with soft cloth dipped with soluble detergent or water, sterilize with medicinal alcohol.

Replacing the fuse

- ✧ Turn off the main power switch and pull out the power plug from the power socket.
- ✧ Screw off the fuse holder cover with the screw driver.
- ✧ Replace with a new fuse, then fasten the cover.
- ✧ The fuse specifications are as follows:
110V 5A/125V;
220V 3A/250V

5 ACCESSORIES

- ✧ Standard table (400mmX600mm)

6 SPECIFICATIONS

Dimensions	: 510mm (W) X450mm (D)
Table minimum height/stroke	: 660mm/220mm
Weight	: 23Kg (body only)
Maximum load	: 50Kg
Input power supply (220Vsystem)	: AC220V,230V,240V
Input power supply (110Vsystem)	: AC110V,120V
Input power supply (switchable system)	: AC110V,120V,220V,230V,240V
Input power supply (system with foot switch)	: AC220V,230V,240V
Input power frequency	: 50/60Hz
Power consumption	: 220VA
Electric safe standard	: Conform to Standard IEC601 -1 Class I Type B

* Design and specifications are subject to change without notice.



ET-185 ELECTRIC TABLE

9990 NW 14 Street | Suite 105 | Doral, FL 33172
Telephone: 888.334.4640