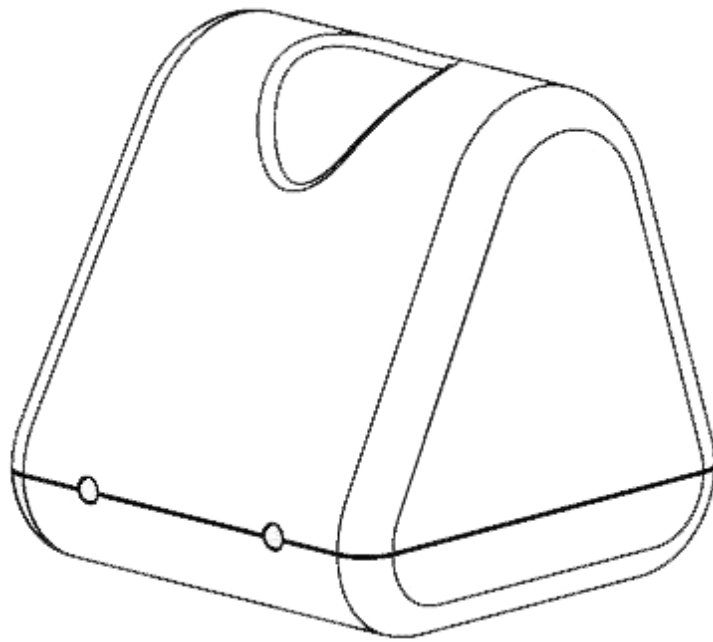
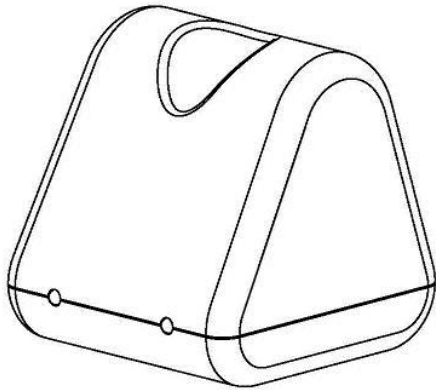


# Operation Manual



# Charger User's Guide



Thank you for purchasing this charger. To prevent damage to your charger or injury to yourself or to others, read the following safety precaution in their entirety before using this equipment. Keep these safety instructions where all those who use the device will read them.

**Symbols:**



**Class II**



**Attention:** Read user's guide for warnings and cautions and instructions for operating.

**Warnings and Cautions**



**Attention.** Read user's guide for cautions and instructions for operating.



**Warning:** This device must not be used in the presence of flammable gases.



**Warning:** This device should not be immersed in fluids.



**Warning:** Please use special certificated power adapter.



**Warning:** Federal law restricts this device to sale or order of a physician.

**1. Purpose and features of the device**

**1.1 Purpose**

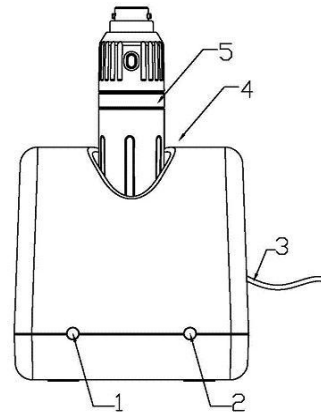
The charger is only intended to charge the rechargeable Li-ion battery handle.

**1.2 Features**

- Power-on indicator. Charging state indicator.
- Automatic charging when inserting the handles to charging port.
- When take the handle away, the charging state indicator automatically turns off.
- 3.7V Li-ion battery .
- Pre-charge – CC – CV Operation model.
- Circuit short, reverse-voltage ,over-voltage protection.
- Low battery indicator.

**2. Operating Instructions**

2.1 The lithium battery charger external diagram is as follow:



1	Power indicator	The green led lit indicate that the charger is powered
2	Charge indicator	The yellow led lit indicate the charging The green led lit indicate charging is completed
3	Power line	Connect the power adapter
4	Charging port	Insert the rechargeable Li-ion battery handle
5	Rechargeable lithium battery	Pay attention to the direction of the handle inserted.

2.2 Connecting power adapter to mains and the charger,  
When the green Power led is lit that indicates that the charger is powered and ready to charge the battery.

2.3 Place the rechargeable lithium battery handle into the charging port of the charger. When the charging indicator shows yellow that indicate charging is carry on, the charge indicator shows green that indicates charging is complete.

2.4 Take the handle from the charging port.The lithium battery charger will stop charging, charging indicator light turn off.

2.5 Power adapter output: 9 – 12 VDC, 800 – 1250 mA.

**3. Maintenance**

**3.1 Cleaning Recommendations**

Wipe all external surfaces with cloth dampened with a mild detergent and water solution, a mild detergent and water solution, a solution of 70% isopropyl alcohol and water solution, or a solution of 10% Clorox and water.

DO NOT immerse. Wring out the cloth to prevent excess moisture from entering the assembly.

Clean instrument windows with a cotton swab dipped in alcohol.



**Caution:** Be careful to prevent the solvent into the instrument.

#### 4. Technical Specifications

<b>Electrical Specifications</b>		
Input voltage	9 VDC – 12 VDC	
Input power	≤ 5 VA	
Li-ion battery specifications	3.7 V	
Charging port	1	
maximum charge time	≤ 3.5 h	
<b>Power adapter specifications</b>		
Input	100 VAC – 240 VAC 50 Hz / 60 Hz ≤ 14 VA	
Output	9 VDC – 12 VDC 800 mA – 1250 mA	
Electrical Safety	Complying with EN60601-1, EN60601-1-2 Protection : Class II	
<b>Environment requirements</b>		
Operation	Environment Temperature	+10 °C – +35 °C
	Relative Humidity	30% – 75%
	Atmospheric Pressure	700 hPa – 1060 hPa
Shipping	Common Conveyance	
Storage	Environment Temperature	-40 °C – +55 °C
	Relative Humidity	10% – 90%
	Atmospheric Pressure	500 hPa – 1060 hPa



---

9990 NW 14 Street | Suite 105 | Doral, FL 33172  
Telephone: 888.881.1122